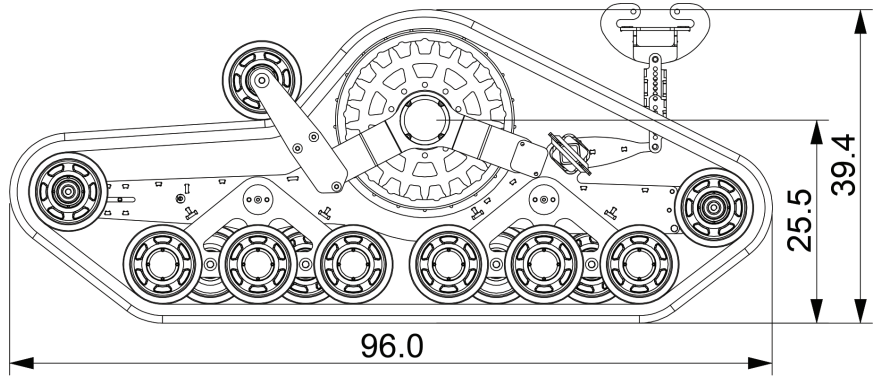
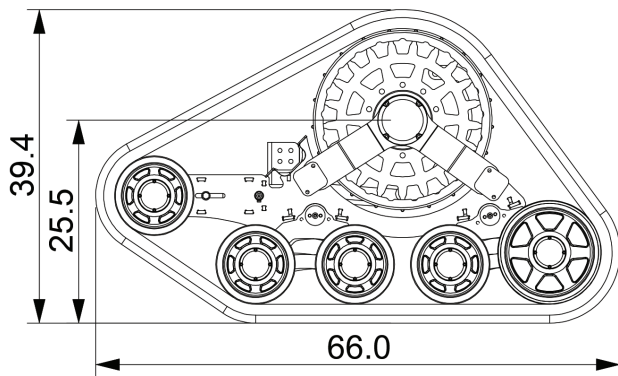




400 Series

400M1A1-SA-2030



Exclusive Anti-Torque System	Rubber Torsion
Frame Construction	HSLA Steel
Recommended Max Gross per corner	Front: 7,500 lbs / Rear 12,500 lbs
Internal Suspension	Concentric Pivot w/Independent Offset Rocker Arm
Track Tread Width	Front: 20" / Rear: 30"
Tread Style	All-Terrain Self-Cleaning
Track Material	Rubber with Internal Composite Rods and Cord
Recommended Operating Temperature	(Ambient) -40°F to +130°F (-40°C to +55°C)
Axle Height	25.5"
Ground Contact Area (3" Depression)	6,380 in ² (at 3" depth)
Corners	4
Sprocket Diameter	24"
Wheels (Shielded & Sealed Bearings)	2.5" Wide - Front: (11) 10", (3) 13" / Rear: (22) 10"
Recommended Max Speed**	20 mph
Turning Radius	Same as original vehicle
Max Operating Side Slope (Grade)*	25%
Terrain	All-Terrain
Max Distance Off-Road	Indefinite
Max Distance Hard Surface**	At Below 80°F (26°C): Indefinite
At Above 80°F (26°C)	15 Miles at Max Speed

*DEPENDENT ON VEHICLE, CARGO, AND ACCESSORIES **FOR MAXIMUM TREAD LIFE. CONTACT MATTRACKS IF YOUR APPLICATION REQUIRES HIGHER SPEEDS
ALL SPECIFICATIONS ARE APPROXIMATE AND WE RESERVE THE RIGHT TO MAKE CHANGES OR MODIFICATIONS WITHOUT NOTIFICATION

